

# DC-9403(IS)

## Intrinsically Safe Conventional Sounder Strobe



# Ex

### Description

DC-9403(IS) Intrinsically Safe Conventional Sounder Strobe is a kind of audio and visual alarm device used to warn people when fire occurs. It's applicable to Zone 1 and Zone 2 of areas with explosion-proof requirement in petroleum and chemical industries. With explosion proof interface I-9333, the sounder can be connected into GST addressable system. Each interface can only drive 1 Sounder/Strobe.

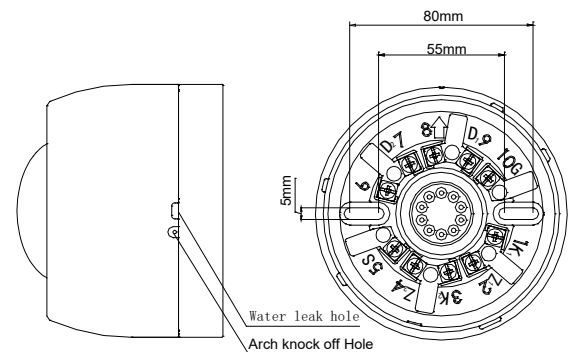
Base with 25.5mm height is available.

### Features and Benefits

- Sound level: 85dB (A-weighted, 3m in front)

### Terminals and Installation Holes

Below figures show the base and terminals of the sounder strobe.



There are ten terminals with marks on the base. Only 2 of them are for connection, other will help the fixing. D1+ (9), D2- (7): Connected with I-9333 Interface, polarized

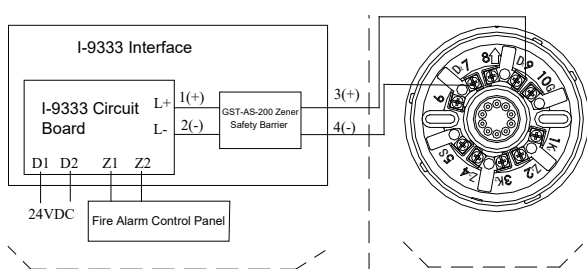
### Recommended Cabling

1.5mm<sup>2</sup> or above fire cable is recommended, laid through metal or flame-retardant conduit, but subject to local codes.

## Application

The sounder strobe is to be installed in hazardous areas. Be sure that an interface with Zener barrier is applied in the cabling before entering the hazardous area.

The sounder strobe can be driven by I-9333 interface zone. Only 1 sounder Beacon can be loaded by each interface. The typical connection is shown below.



## Technical Specification

Operating Voltage	24VDC (16VDC~28VDC)
Standby current	≤5mA
Active current	≤50mA
Sound Level	Sound level: 85dB ~ 115dB (A-weighted in 3m front).
Flashing Frequency	1.4×(1±20%)Hz
Tone Modification Period	0.7s±20%
Explosion-proof marking	Exib II CT6 Gb
Certificate Number	CE17.2190
Ingress Protection Rating	IP33
Operating Temperature	-10°C ~ +55°C
Relative Humidity	≤95%, non condensing
Application	Indoor
Enclosure	ABS, red. 107Ω≤surface resistance≤109Ω, Plexiglas in front
Dimension	φ110mm×95.9mm
Mounting Hole Spacing	55mm ~ 80mm
Weight	About 322.2g

## Certificates and Compliance

- Explosion-proof marking: Exib II CT6 Gb
- Certificate Number: CE17.2190

## Order Information

Part No.	DC-9403(IS)
Device Name	Intrinsically Safe Conventional Sounder Strobe
Product No.	10105045
Compatible Products	I-9333 Flame Proof Sounder Control Interface

## Accessories and Tools



Part No.: C-94DB  
 Device name: Deep Base  
 Product No.: 30203792